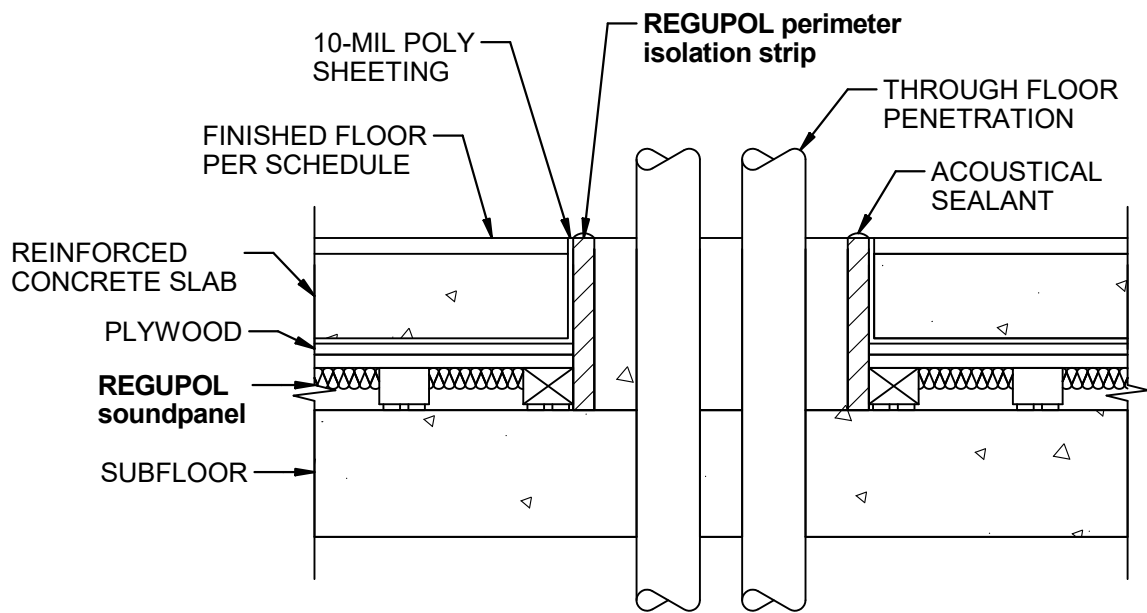


SINGLE PENETRATION



GROUP PENETRATION

**Contact**

**REGUPOL America LLC**  
 11 Ritter Way  
 Lebanon, Pennsylvania 17042  
 UNITED STATES OF AMERICA  
 www.regupol.com

**Notes**

Adjacent trades are only shown schematically and in parts. The applicability and other conditions or constraints need to be checked by the customer or user on their own responsibility. The technical data sheets, installation instructions and local conditions need to be considered.

**Project:**

Project no.:

Detail: Penetration Details

Drawn by: DLG

Date: 4.13.2021

Scale: N/A

DWG no.: 1